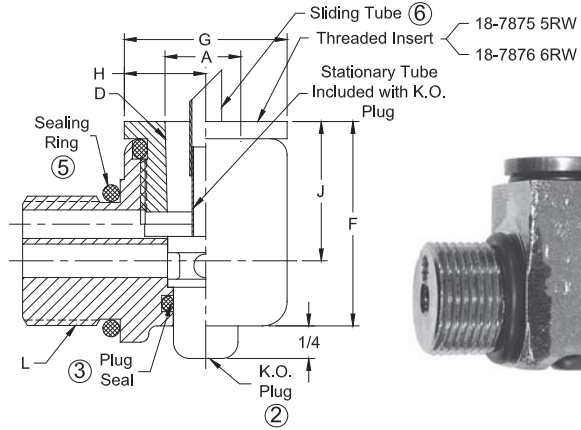
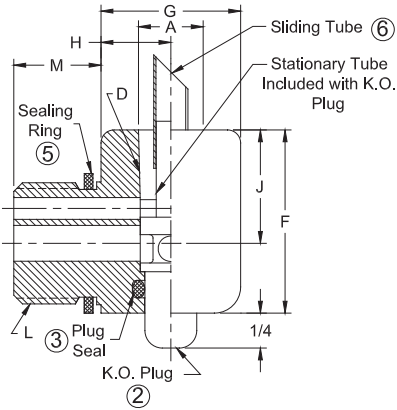


MALE THREAD TO FEMALE TAPER UNIVERSAL ADAPTERS

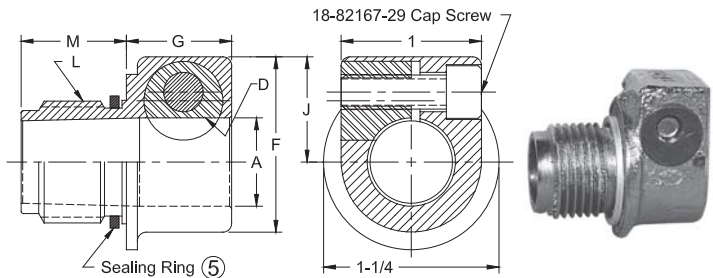
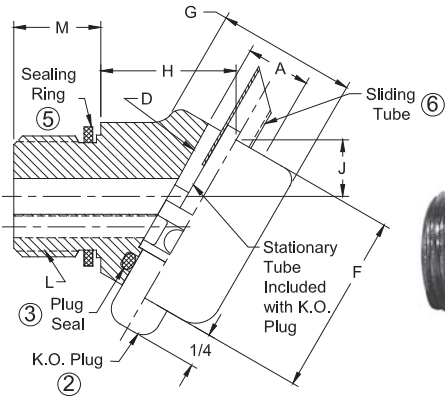
MALE THREAD TO FEMALE TAPER 90° TYPE

MALE THREAD TO FEMALE TAPER 90° TYPE (ADAPT WITH INSERT)



MALE THREAD TO FEMALE TAPER 30° TYPE

MALE THREAD TO FEMALE TAPER STRAIGHT TYPE



MALE THREAD TO FEMALE TAPER UNIVERSAL ADAPTERS

Adapter Part No.	Adapter Angle	Male Thread		Female Taper		Overall Head Height F	Head Diameter or Length G	End Barrel to C.L. of Taper H	C.L. Barrel to C.L. of Taper J	K.O. Plug Part No. 2	K.O. Plug Seal Ring Part No. 3	Sealing Ring Part No. 5	Sliding Tube Part No. 6
		Thread Size L	Length M	Taper Size D	Major Dia. A								
18-764 18-765	90° 30°	7/8-14	9/16	4 RW	.463	1-9/16	1	19/32 1-1/16	13/16 15/32	18-50021	18-10060-8	18-76460	18-50041-1
18-766 18-767 18-768	90° 30° Str.	7/8-14	9/16	5 RW	.625	1-13/16 1-13/16 1-1/4	1 1-1/16 3/4	19/32 1-11/32 --	1-1/16 53/64 3/4	18-50022 18-50022 --	18-10060-10 --	18-76460	18-40043-3 18-40043-3 --
18-780 18-781 18-784	90° 30° Str.	1-14	3/4	5 RW	.625	1-13/16 1-13/16 1-1/4	1-1/4 1-5/16 3/4	21/32 1-3/8 --	1-1/16 13/16 3/4	18-50022 18-50022 --	18-10060-10 --	18-10060-17	18-40043-3 18-40043-3 --
18-782 18-783	90° 30°	1-14	3/4	7 RW	.875	2-3/16	1-1/2 1-9/16	25/32 1-3/8	1-3/16 13/16	18-50023	18-10060-12	18-10060-17	18-40043-4
18-7805* 18-7815*	90° 30°	1-14	3/4	5 RW	.625	1-13/16	1-1/4 1-5/16	21/32 1-3/8	1-1/16 13/16	18-50022	18-10060-10	18-10060-17	18-40043-3
18-7806* 18-7816*	90° 30°	1-14	3/4	6 RW	.750	1-15/16	1-1/4 1-5/16	21/32 1-7/16	1-3/16 59/64	18-50022	18-10060-10	18-10060-17	18-40043-3

*These adapters have threaded inserts 18-7875 (5RW) or 18-7876 (6RW) taper