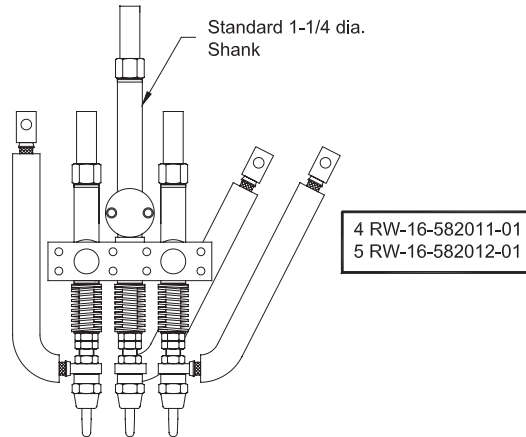


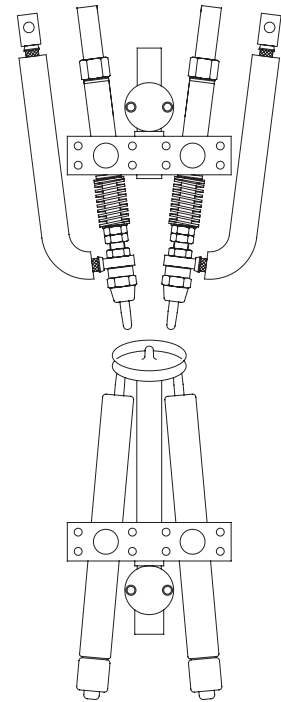
APPLICATION SHEET FOR TYPICAL MULTIPLE SPOT WELDING SETUPS

Typical Set Up For
3 Spots at a time in Parallel

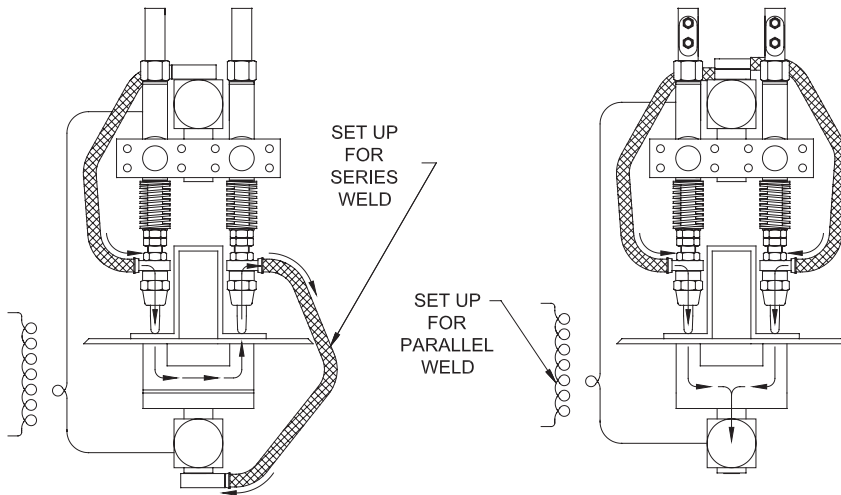
- 1 CMW Std. 1150 Series Adapter
- 2 CMW Std. 1100 Series Holders
- 1 CMW Special 1100 Series Holder



Typical Set Up For
2 spots simultaneously
in parallel



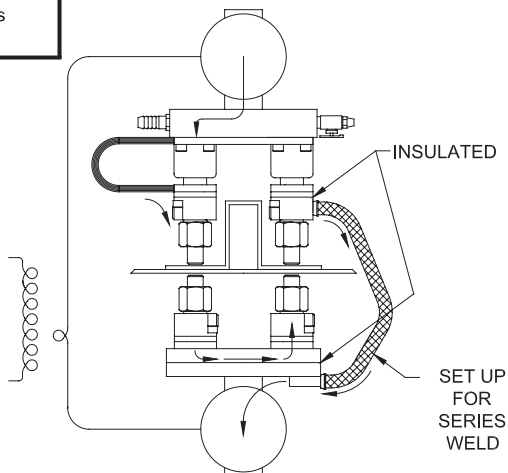
- Upper
 - 2-1100 Series Holders
 - 1-1150 Series Adapter
- Lower
 - 2-100,200 or 300 Series Holders
 - 1-1150 Series Adapter with special center shank



Contact Factory
All above items
priced and made
to special order
Illustrations
only

TYPICAL SET UP OF 800 SERIES "NU-TWIST"® UNITS

For dual spot welding using hydraulic "Nu-Twist"® Pressure equalizing subassemblies and surface mounted adapters as basic building blocks



- Upper
 - two
 - 18-826
 - hydraulic
 - unit assemblies
 - mounted on
 - fixed centers
 - (See Pages
 - 52, 53, 56)
- Lower
 - two
 - 18-801
 - surface
 - mounted
 - "Nu-Twist"®
 - Adapters
 - (See page 48)

