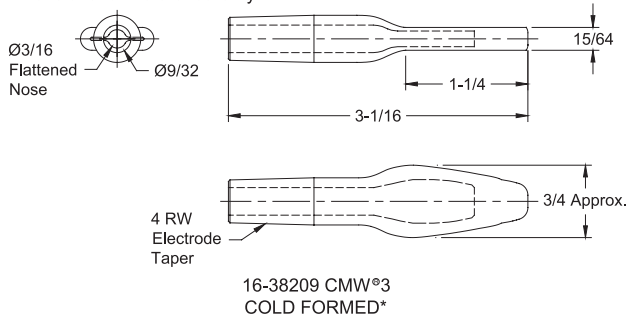


SPADE ELECTRODES

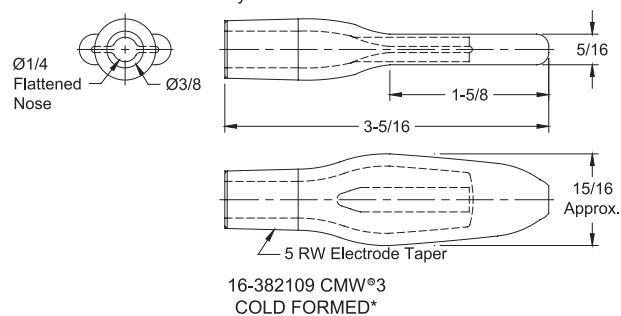
- See page 6 for
Metric Conversions
- See page 7 for
Taper Dimensions



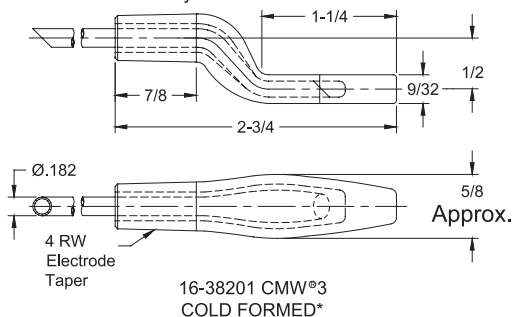
Bent Dimensions for Reference Only



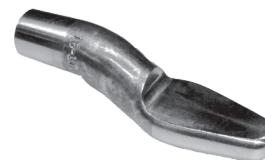
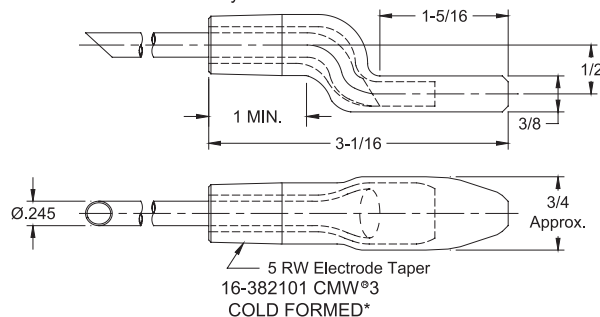
Bent Dimensions for Reference Only



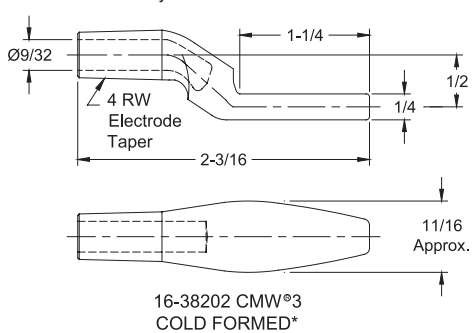
Bent Dimensions for Reference Only



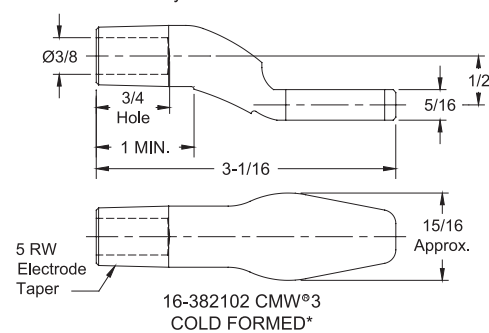
Bent Dimensions for Reference Only



Bent Dimensions for Reference Only



Bent Dimensions for Reference Only



*Optional material available on special order: CMW^{®28} & CMW^{®100}