

# PLATEN MOUNTED ELECTRODE HOLDERS

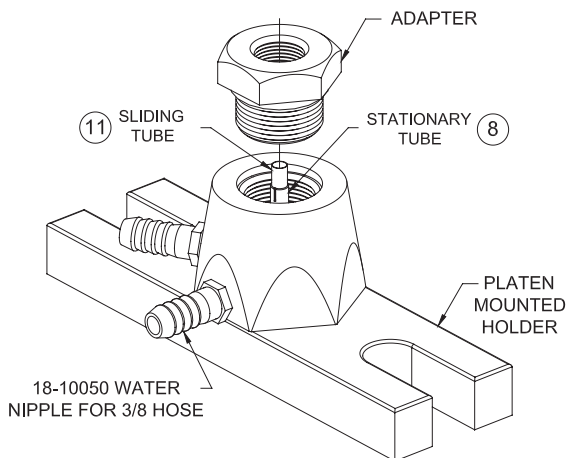
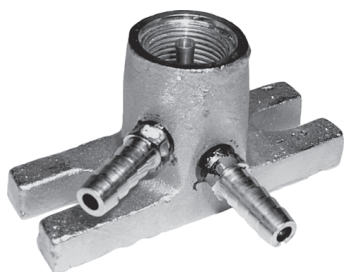


Phone: 866-634-8884

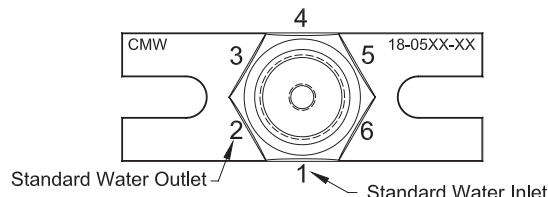
Fax: 866-239-6995

Email: cmw@cmwinc.com

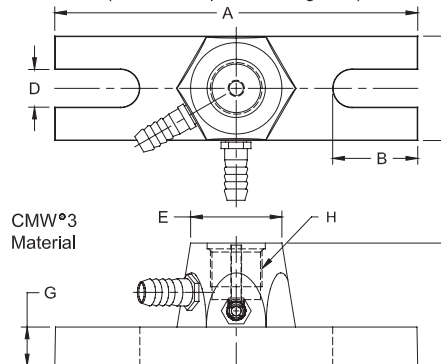
## PLATEN MOUNTED ELECTRODE HOLDERS



The CMW Platen Mounted Holder, as shown below, has the inlet water nipple at position #1 and the outlet water nipple at position #2, any other combinations may be special ordered by changing the last two digits of the part number. The first of the last two digits indicates the location of the inlet nipple and the second digit indicates the location of the outlet nipple. Example; part No. 18-0510-56 would place the inlet water nipple at position #5 and the outlet water nipple at position #6.



Part No. 18-0510-12 & 18-0520-12  
(Without adapter & sliding tube)



Order one of each for your application		Order as required				Overall Length A	Slot Depth B	Width C	Slot Width D	Top Dia. E	Overall Height F	Base Height G	Thread H
Holder Part No.	Adapter Part No.	Attachment Type	Stationary Tube 8	Sliding Tube 11	Sliding Length								
18-0510-12	18-785	4RW	18-40041-5	18-50041-3 18-50041-2	1-3/8 2-1/2	4-1/4	1	1-1/2	1/2	1-23/64	2-1/8	1/2	1-14 UNF
18-0520-12	18-785	4RW	18-40041-5	18-50041-3 18-50041-2	1-3/8 2-1/2	7	1-5/8	2	3/4	1-49/64	2-3/8	3/4	
18-0510-12	18-786	5RW	18-40041-5	18-40043-11 18-40043-5 18-40043-9	1-3/8 2 4	4-1/4	1	1-1/2	1/2	1-23/64	2-1/8	1/2	
18-0520-12	18-786	5RW	18-40041-5	18-40043-11 18-40043-5 18-40043-9	1-3/8 2 4	7	1-5/8	2	3/4	1-49/64	2-3/8	3/4	
18-0510-12	18-7863	6RW	18-40041-5	18-40043-14 18-40043-9	2-1/8 4	4-1/4	1	1-1/2	1/2	1-23/64	2-1/8	1/2	
18-0520-12	18-7863	6RW	18-40041-5	18-40043-14 18-40043-9	2-1/8 4	7	1-5/8	2	3/4	1-49/64	2-3/8	3/4	
18-0510-12	18-787	7RW	18-40041-5	18-40043-15 18-40043-9	2-3/8 4	4-1/4	1	1-1/2	1/2	1-23/64	2-1/8	1/2	
18-0520-12	18-787	7RW	18-40041-5	18-40043-15 18-40043-9	2-3/8 4	7	1-5/8	2	3/4	1-49/64	2-3/8	3/4	
18-0510-12	18-812	#2 SIZE Nu-Twist®	18-40041-5	-	-	4-1/4	1	1-1/2	1/2	1-23/64	2-1/8	1/2	
	18-7743**	5/8-18 THD.											
18-0520-12	18-812	#2 SIZE Nu-Twist®	18-40041-5	-	-	7	1-5/8	2	3/4	1-49/64	2-3/8	3/4	
	18-7743**	5/8-18 THD.											

\*\*Adapter for 1" dia. & 1-1/4 dia. Chameleon/Max-Life™ projection welding electrodes and 18-811 #1 size threaded "NU-TWIST"® adapter.