

# METRIC-ISO 5821 STANDARD CAP ELECTRODES



Phone: 866-634-8884





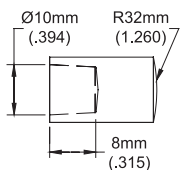
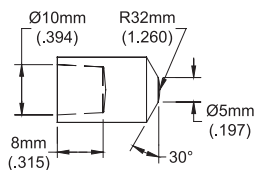
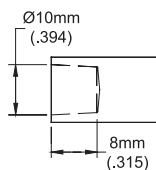
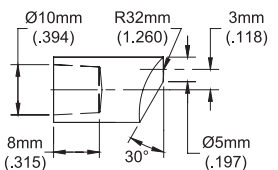
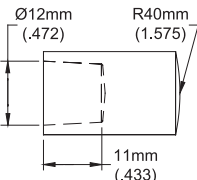
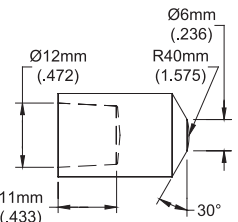
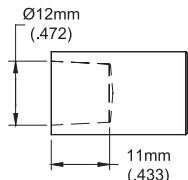
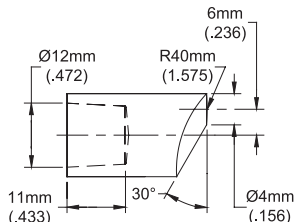
Fax: 866-239-6995

Email: cmw@cmwinc.com

These economical, quick change caps are made of long lasting, highly efficient CMW<sup>®</sup>328 copper alloy, precision manufactured to exacting tolerances in a wide range of standard configurations or to your special requirements.


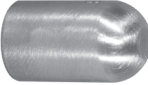

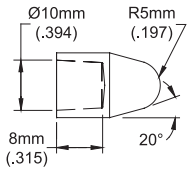
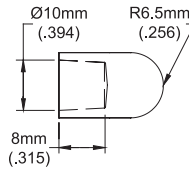
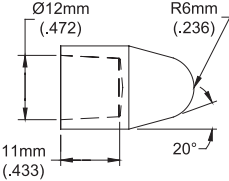
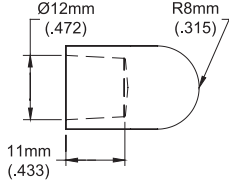
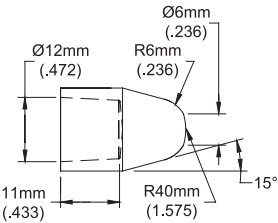
## CMW FEMALE METRIC-ISO 5821 CAP ELECTRODES

ALL DIMENSIONS MARKED WITH AN (\*) ARE COMMON TO EACH CAP IN A HORIZONTAL LINE.

	 METRIC TYPE (A)	 METRIC TYPE (B)	 METRIC TYPE (C)	 METRIC TYPE (D)
Taper 1:10 Dia. 13mm (.512)* Length 18mm (.709)*	 Ø10mm (.394) R32mm (1.260) 8mm (.315)	 Ø10mm (.394) R32mm (1.260) 8mm (.315) 30° Ø5mm (.197)	 Ø10mm (.394) 8mm (.315)	 Ø10mm (.394) R32mm (1.260) 3mm (.118) 8mm (.315) 30° Ø5mm (.197)
CMW <sup>®</sup> 328	MPF241Z-01	MPE241Z-01	MPC241Z-01	MPD241Z-01
Taper 1:10 Dia. 16mm (.625)* Length 20mm (.787)*	 Ø12mm (.472) R40mm (1.575) 11mm (.433)	 Ø12mm (.472) R40mm (1.575) 11mm (.433) 30° Ø6mm (.236)	 Ø12mm (.472) 11mm (.433)	 Ø12mm (.472) R40mm (1.575) 6mm (.236) 11mm (.433) 30° Ø4mm (.156)
CMW <sup>®</sup> 328	MPF25Z-01	MPE25Z-02	MPC25Z-02	MPD25Z-02

## CMW FEMALE METRIC-ISO 5821 CAP ELECTRODES

ALL DIMENSIONS MARKED WITH AN (\*) ARE COMMON TO EACH CAP IN A HORIZONTAL LINE.

	 METRIC TYPE (E)	 METRIC TYPE (F)	 METRIC TYPE (G)
Taper 1:10 Dia. 13mm (.512)* Length 18mm (.709)*	 Ø10mm (.394) R5mm (.197) 8mm (.315) 20°	 Ø10mm (.394) R6.5mm (.256) 8mm (.315)	No Standard Available
CMW <sup>®</sup> 328	MPA241Z-01	MPB241Z-01	
Taper 1:10 Dia. 16mm (.625)* Length 20mm (.787)*	 Ø12mm (.472) R6mm (.236) 11mm (.433) 20°	 Ø12mm (.472) R8mm (.315) 11mm (.433)	 Ø12mm (.472) R6mm (.236) Ø6mm (.236) 11mm (.433) R40mm (1.575) 15°
CMW <sup>®</sup> 328	MPA25Z-03	MPB25Z-03	MPA25Z-09